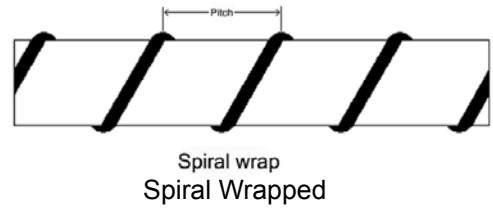
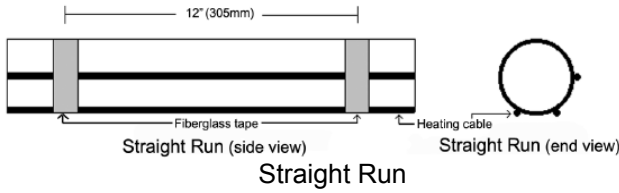
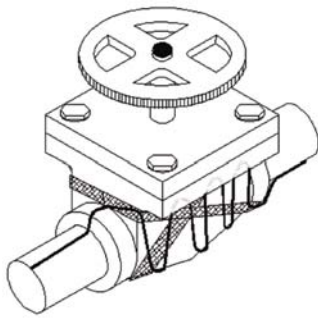


BriskHeat® Pipe Tracing Application: Heating Cable Installation Details

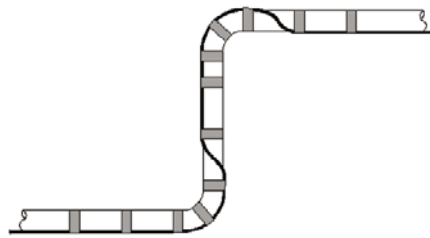
Heating Cable Wrapping Techniques



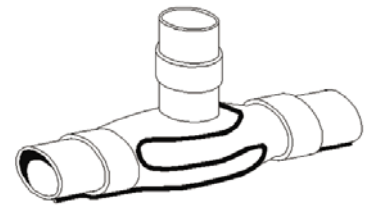
Heating Cable Placement on Different Types of Objects



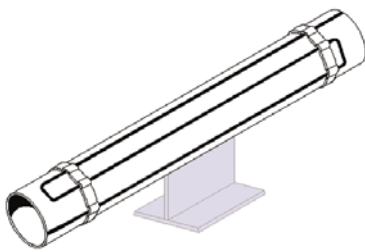
Valve



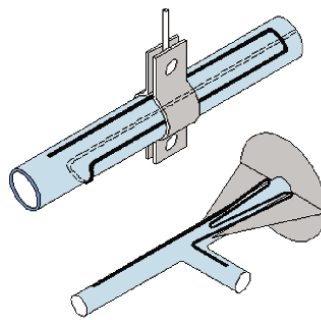
Elbow



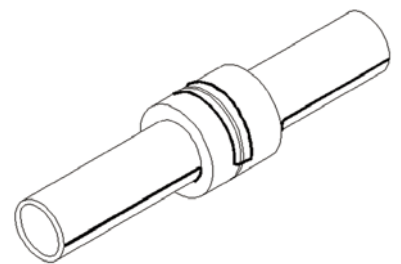
Blind Tee



Pipe Support

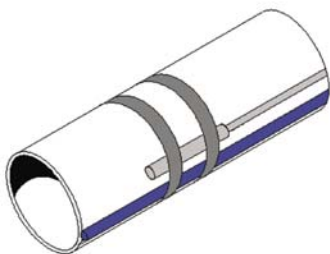


Support

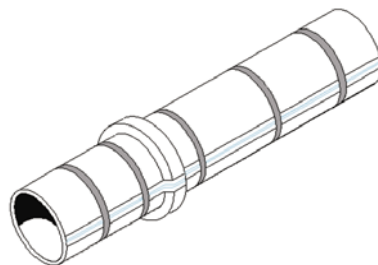


Flange Body

Accessory Placement



Temperature Sensor



Adhesive Tape