



TP0 Series Portable Time Percentage Dial Instruction Manual


	<p>Read and understand this manual before installing, operating, or servicing this product. Failure to understand these instructions could result in an accident causing serious injury or death. Only qualified personnel should install, operate, or service this product.</p>
---	--

TABLE OF CONTENTS

Introduction.....	2
Safety Alert Symbol.....	2
Important Safety Instructions.....	3
Specifications	4
Product Drawings and Dimensions	5
Installation / Operation Instructions.....	6
Troubleshooting Guide.....	7
Warranty Information.....	8



SAFETY ALERT SYMBOL

INTRODUCTION

The BriskHeat[®] TP0 Series Percentage Controller is a manually adjustable control which provides continuously variable selection of average heater power ranging from 5% to 100%. The controller varies the proportion of “off” and “on” time of the heater power. Thermal characteristics of the heated item will determine the setting of the manually adjustable controller knob.

The symbol above is used to call your attention to instructions concerning your personal safety. It points out important safety precautions. It means “**ATTENTION! Become Alert! Your Personal Safety is involved!**” Read the message that follows and be alert to the possibility of personal injury or death.

The controller does not use a temperature sensor and therefore satisfactory operation requires occasional supervision under changing load conditions.



Immediate hazards which **WILL** result in severe personal injury or death.

For additional information concerning this, or other BriskHeat[®] products, please contact your local BriskHeat[®] distributor or contact us toll free (U.S. / Canada only) at 1-800-848-7673 or 614-294-3376.



Hazards or unsafe practices that **COULD** result in severe personal injury or death.



Hazards or unsafe practices that **COULD** result in minor personal injury or property damage.

SAVE THESE INSTRUCTIONS!

Additional copies of this manual are available upon request.

IMPORTANT SAFETY INSTRUCTIONS



⚠ DANGER

A person who has not read and understood all operating Instructions is not qualified to operate this product.

⚠ DANGER

- Do not immerse controller in liquid.
- Keep volatile or combustible material away from controller when in use.
- Use controller only in approved locations.
- Keep sharp metal objects away from controller.

Failure to observe these warnings may result in electric shock, risk of fire, and personal injury.

⚠ WARNING

End User Must Comply to the Following:

- Only qualified personnel are allowed to connect electrical wiring.
- All electrical wiring must follow local electrical codes and highly recommend following NEC Article 427.
- The person who performs the final installation / wiring must be qualified for this work.
- The end-user is responsible for providing a suitable disconnecting device.
- The end-user is responsible for providing suitable electrical protection device. It is highly recommended that a ground fault circuit breaker is used.

Failure to observe these warnings may result in personal injury or damage to the product and/or property.

⚠ CAUTION

- Inspect all components before use.
- Do not use control and heater if any component is damaged.
- Do not repair damaged or faulty controller.
- Do not crush or apply severe physical stress on any component of controller, including cord assembly.
- Unplug controller when not in use.
- Unplug controller before fuse is changed.

Failure to observe these warnings may result in personal injury or damage to the product and/or property.

⚠ WARNING

The controller does not use a temperature sensor and therefore satisfactory operation requires occasional supervision under changing load conditions.

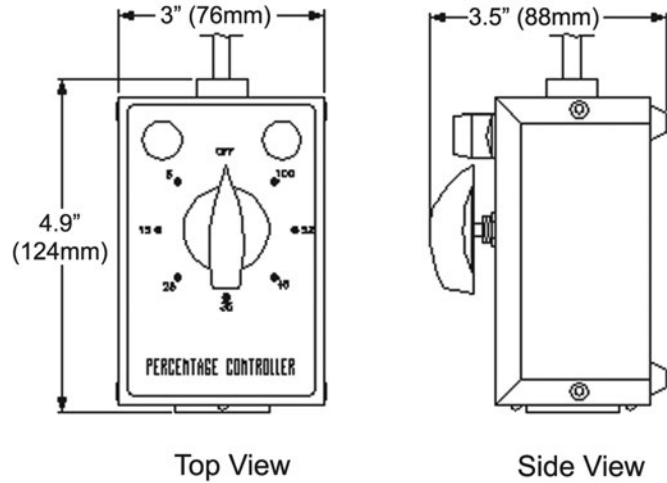
SPECIFICATIONS

- 120 or 240VAC
- 15 Amp Fuse
- Maximum controller exposure temperatures: -40 to 160°F (-40 to 71°C)
- Range: 5 to 100%
- Enclosure: Cast Aluminum table model with rubber feet. For indoor use.
- Input power cord 6 feet (1.8m) long with standard plug
 - 120VAC: NEMA 5-15
 - 240VAC: NEMA 6-15
- Output Receptacle
 - 120VAC: NEMA 5-15R
 - 240VAC: NEMA 6-15R

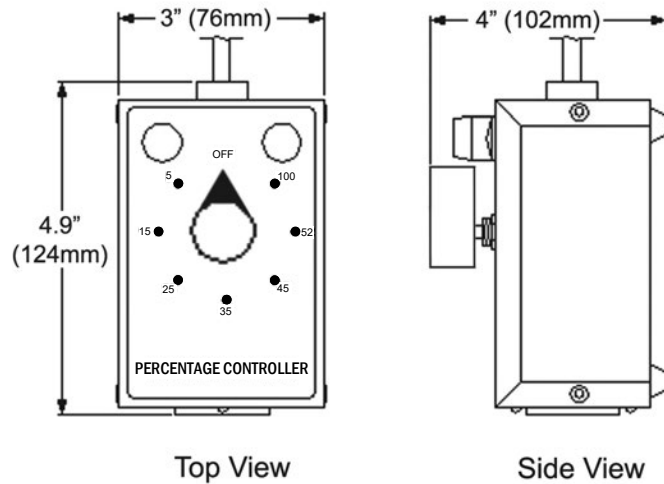
Part Number	Volts	Amps	Range
TP0941-000	120	15	5 to 100%
TP0942-000	240	15	5 to 100%

PRODUCT DRAWINGS AND DIMENSIONS

120V (TP0941-000)



240V (TP0942-000)



OPERATING INSTRUCTIONS

⚠ WARNING

Read and understand this entire manual before operating this controller.

VOLTAGE:

120VAC; 240VAC

⚠ CAUTION

TP0 portable time percentage dial temperature controllers are designed for temporary use applications and must be monitored while in operation.

Step 1:

Plug heater into the controller's output receptacle.

Step 2:

Plug the controller into an approved power source using the input power cord.

Step 3:

Rotate controller knob to the percentage set-point which will produce the desired temperature (see Note A).

Note A:

The time percentage dial controller varies the proportion (length) of time the heater is in the "on" or "off" heating mode. The heating application will determine the actual percentage set-point required.

Step 4:

Continue to monitor the controllers performance while in use (see Note B).

Note B:

The controller does not use a temperature sensor and therefore satisfactory operation requires occasional supervision under changing load conditions.

TROUBLESHOOTING GUIDE

Please read this guide prior to contacting BriskHeat[®]. This guide is designed to answer the most commonly asked questions. If you are unable to identify the problem or need additional assistance, please contact your local distributor or BriskHeat[®] at **1-800-848-7673 (U.S. & Canada), 1-614-294-3376 (World wide), or bhtsales1@briskheat.com.**

Controller does not function

1. Check fuse:

Unplug the unit from its power source. Remove the fuse located under cap on front of controller and check its continuity. If the fuse is defective, replace it with an ABC 15 amp fuse. Fuses may be obtained from most electrical supply houses.

2. Check heater:

Unplug heater from controller and check for continuity. Replace heater if there is no continuity.

3. Check power source:

Using a voltmeter, test the power source and assure correct voltage is present.

WARRANTY INFORMATION

BriskHeat warrants to the original purchaser of this product for the period of eighteen (18) months from date of shipment or twelve (12) months from date of installation, whichever comes first. BriskHeat's obligation and the exclusive remedy under this warranty shall be limited to the repair or replacement, at BriskHeat's option, of any parts of the product which may prove defective under prescribed use and service following BriskHeat's examination, is determined by BriskHeat to be defective. The complete details of the warranty can be found online at www.briskheat.com or by contacting us at 1-800-848-7673 (toll free, U.S. / Canada) or 1-614-294-3376 (Worldwide).

BriskHeat[®]
Corporation

4800 Hilton Corporate Dr, Columbus, OH 43232

Toll Free: 800-848-7673

Phone: 614-294-3376

Fax: 614-294-3807

Email: bhtsales1@briskheat.com