

TD101 AUTOMATIC ON/OFF THERMOSTAT CONTROL

Features & Benefits

- ▶ Weatherproof on/off thermostat control with temperature sensitive bimetal disc
- ▶ Mounts directly to heated surface
- ▶ Single pole double throw (SPDT) switch

Specifications

Voltage: 120-240 VAC UL (120-240 VAC CSA)

Maximum Amp Load: 25 amps

Temperature Control Range: See ordering table

Accuracy: +/-6°F @ 50°F-80°F range; +/-5°F @ 81°F-200°F range
(+/- 3.3°C @ 10°C-27°C range; +/-2.7°C @ 28°C-93°C range)

Connection Wiring: 4 ft (1.2 m) long bare wires

Housing Construction: Hermetically sealed black phenolic plastic housing

Mounting Bracket: 304 stainless-steel bracket with (2) 0.17 in (4.3 mm) diameter holes

Environmental Operating Range: -40°F to 221°F (-40°C to 105°C)



Applications

TD101 is the ideal thermostat for individual circuits requiring a weatherproof device.

- Heat tracing for fluid systems
- Freeze protection
- Outdoor/wet area heating applications
- Over temperature limit switch or alarm



Moisture Resistant

Ordering Information

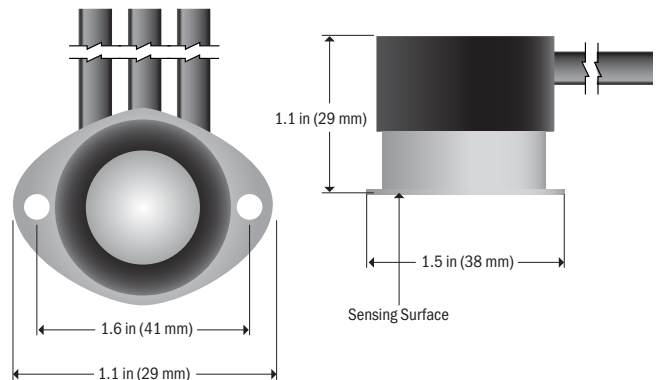
Part No.		Volts (VAC)	Amps	Settings	
Without Conduit Fitting	With Conduit Fitting			Close °F (°C)	Open °F (°C)
TD101N-050	TD101C-050	Up to 240	25	37 (3)	47 (9)
TD101N-060	TD101C-060	Up to 240	25	45 (7)	60 (16)
TD101N-075	TD101C-075	Up to 240	25	60 (16)	75 (24)
TD101N-105	TD101C-105	Up to 240	25	90 (32)	105 (41)
TD101N-200	TD101C-200	Up to 240	25	185 (85)	200 (93)

TD101C

TD101N



TD101N series



TD101C series (with conduit fitting)

