

TB250N ALL-PURPOSE BULB & CAPILLARY TEMPERATURE CONTROLLER

Features & Benefits

- ▶ SPDT switch
- ▶ Suitable for outdoor use
- ▶ Simple dial setpoint
- ▶ NEMA 3R enclosure

Applications

- Heat tracing
- Freeze protection
- Process heating



Set point dial protected within a NEMA 3R enclosure

Specifications

Voltage: Up to 277 VAC

Maximum Amp Load: 22 amps

Temperature Control Range: 100°F to 250°F

Temperature Display Unit: Dial setpoint °F

Hysteresis: 6°F (3°C)

Sensor Input: Tinned copper bulb and capillary, 10 ft (3 m) long

Environmental Exposures:

Operating range: -40°F to 160°F (-40°C to 71°C)

Enclosure Dimensions: 5.6 in x 5.2 in x 3.4 in
(143 mm x 132 mm x 86 mm)

Bulb Dimensions

Diameter	Length
0.30 in (8 mm)	2.5 in (64 mm)

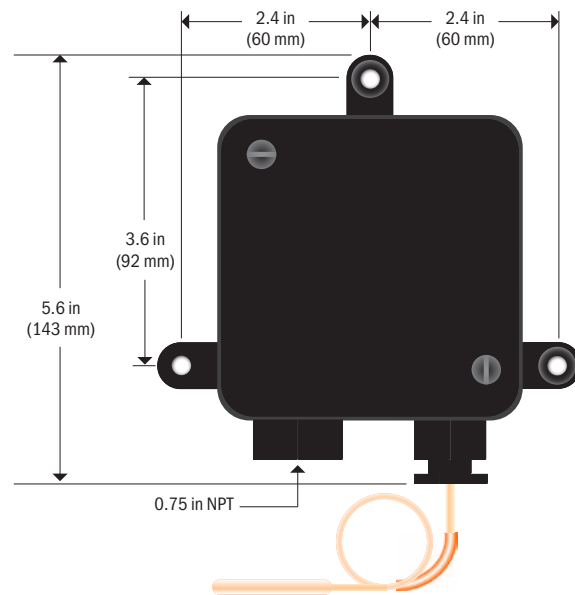


Ordering Information

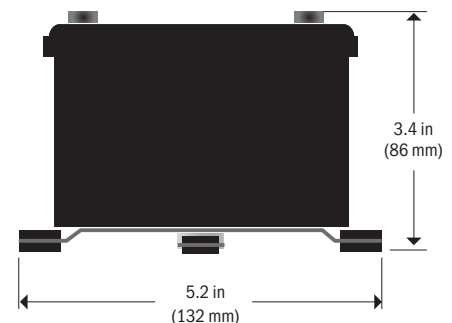
Part No.	Volts	Amps	Range
TB250N-250	Up to 277	22	100°F to 250°F (38°C to 121°C)

Accessories

Part No.	Description
TB250P-1BW	0.5 in NPT x 2.38 in (60 mm) copper bulb well



Front View



Top View