

## Installation Instruction TD Series



### SAFETY ALERT SYMBOL

The symbol above is used to call your attention to instructions concerning your personal safety. It points out important safety precautions. It means "ATTENTION! Become Alert! Your Personal Safety is involved!" Read the message that follows and be alert to the possibility of personal injury or death.



Hazards or unsafe practices that **COULD** result in severe personal injury or death.



Hazards or unsafe practices that **COULD** result in minor personal injury or property damage.

### TD101N-XXX & TD101C-XXX

TD101N-XXX & TD101C-XXX is a SPDT thermostat with a pole which can be used to operate external alarm devices or as a limit controller in conjunction with other TD series thermostats. These are fixed temperature thermostats available for specified temperatures between 50° and 200°F where the "-XXX" indicate the temperature at which the circuit opens. The TD101C-XXX has a fitting for ½" NPT Flexible Conduit.

### I. MOUNTING

The sensing area is the circular portion in the middle of the flange. Make sure the contact area is clean and smooth. The sensing area will be damaged by bending the flange.

For mounting to a flat surface, use 2 bolts or screws to secure the thermostat to the surface.

There are two methods to attach the thermostat to a pipe:

- Turn the flange so that its longest dimension runs along the pipe. Use two suitable mounting clamps (pipe clamps or ty-straps). Tighten a clamp around each flange end, using only enough force to prevent movement and to allow good contact of the sensing area with the pipe.
- Turn the flange so that it's shortest dimension runs along the pipe. Use cable tie(s) to go through the mounting holes and around the pipe. Tighten to prevent movement and allow for good contact.



DO NOT OVERTIGHTEN.  
DO NOT DISTORT FLANGE.

### II. Wiring

#### A. TD101N-XXX & TD101X-XXX

For heating applications, the TD101N-XXX uses the common (red wire) and opens on the rise terminals (black wire).

The red wire goes to the hot lead of the supply, and the black wire goes to one of the heater leads.

The close on rise (brown wire) terminal may be cut off or rolled up away from direct heater contact after properly insulating the bare leads with a wire nut or other suitable means for the environment in which the thermostat is being used.



During system operation the brown wire will become energized. Treat this as being "Live" at all times.

The close on rise (brown wire) terminal may also be used as a High Temperature Indicator. The brown wire would connect to an alarm circuit. See Figure 1.



All electrical wiring should be done by qualified personnel and be in accordance with all national and local codes.

Disconnect all supply power at the source before making any power connections.

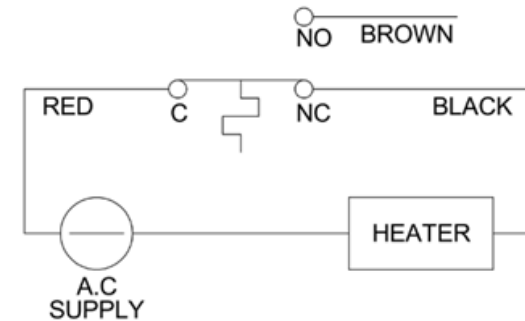


FIGURE 1

NOTES:



Corporate Headquarters:  
4800 Hilton Corporate Dr.  
Columbus, OH 43232, U.S.A.

Europe:  
P.O. Box 420124  
44275 Dortmund, Germany

Toll Free: 800-848-7673  
Phone: 614-294-3376  
Fax: 614-294-3807  
Email: [bhtsales1@briskheat.com](mailto:bhtsales1@briskheat.com)