

TB4000 High Capacity Bulb and Capillary Temperature Controller

Product Highlights

- ✓ Ideal for high wattage tank and hopper applications
- ✓ Suitable for outdoor industrial use
- ✓ Easily set your desired temperature
- ✓ Bulb and capillary control

Specifications:

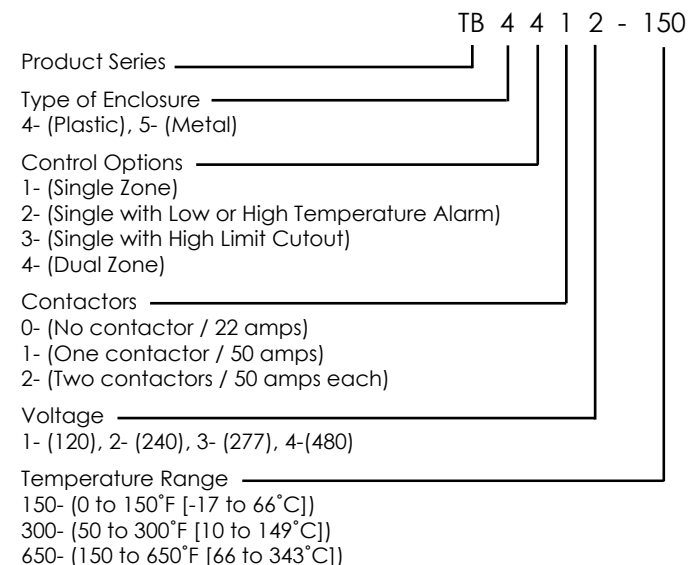
- Large amperage capacity: 50 amps per contactor
- 120, 208, 240, 277, or 480VAC: Single or 3-phase
- Enclosure NEMA 4X rated for outdoor use
- Industrial strength, clear viewable window cover with secure latches
- 304 stainless steel bulb and capillary, 10 feet (3m) long
- Average accuracy of $\pm 5^{\circ}\text{F}$ (3°C)
- Differential 2% full scale
- Maximum controller exposure temperatures: -40 to 160 $^{\circ}\text{F}$ (-40 to 71 $^{\circ}\text{C}$)

Bulb Dimensions

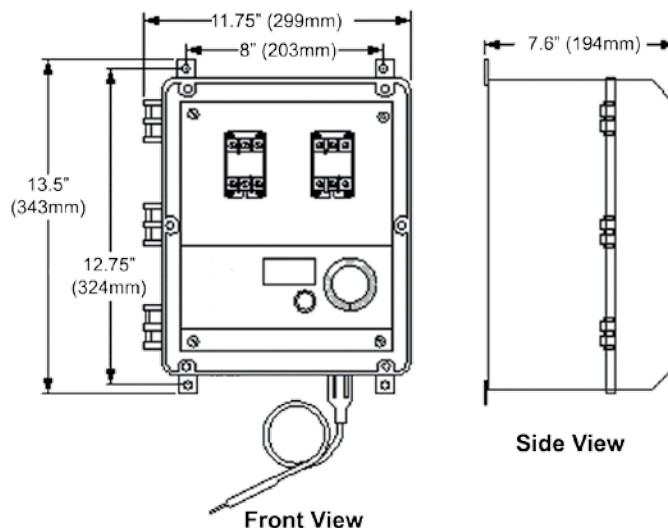
Temperature Range	Diameter		Length	
	Inches	mm	Inches	mm
0 to 150 $^{\circ}\text{F}$	3/8	10	6 7/8	175
50 to 300 $^{\circ}\text{F}$	3/8	10	4 3/8	111
150 to 650 $^{\circ}\text{F}$	3/8	10	3 5/8	92

Ordering Information:

Part Number Matrix



Easy-to-set dial controller within NEMA 4X enclosure



CONTROLLERS